

**VEGETABLE WASCHER 8 - 30 / 10 - 40 Kg**  
**LAVAVERDURE A VASCA FISSA 8-30 / 10-40 Kg**

<b>PNC</b>	<b>Model</b>	<b>Ref.</b>	<b>Page</b>
660 031	LV 200	a	1 - 3
660 033	LV 300	b	2 - 3

**Index**

Pag. 1 Tank, water system  
2 Tank, water system  
3 Pump ,electrical components  
4-5 Spare parts list

**Indice**

Vasca, impianto idraulico  
Vasca, impianto idraulico  
Pompa, componenti elettrici  
Lista ricambi

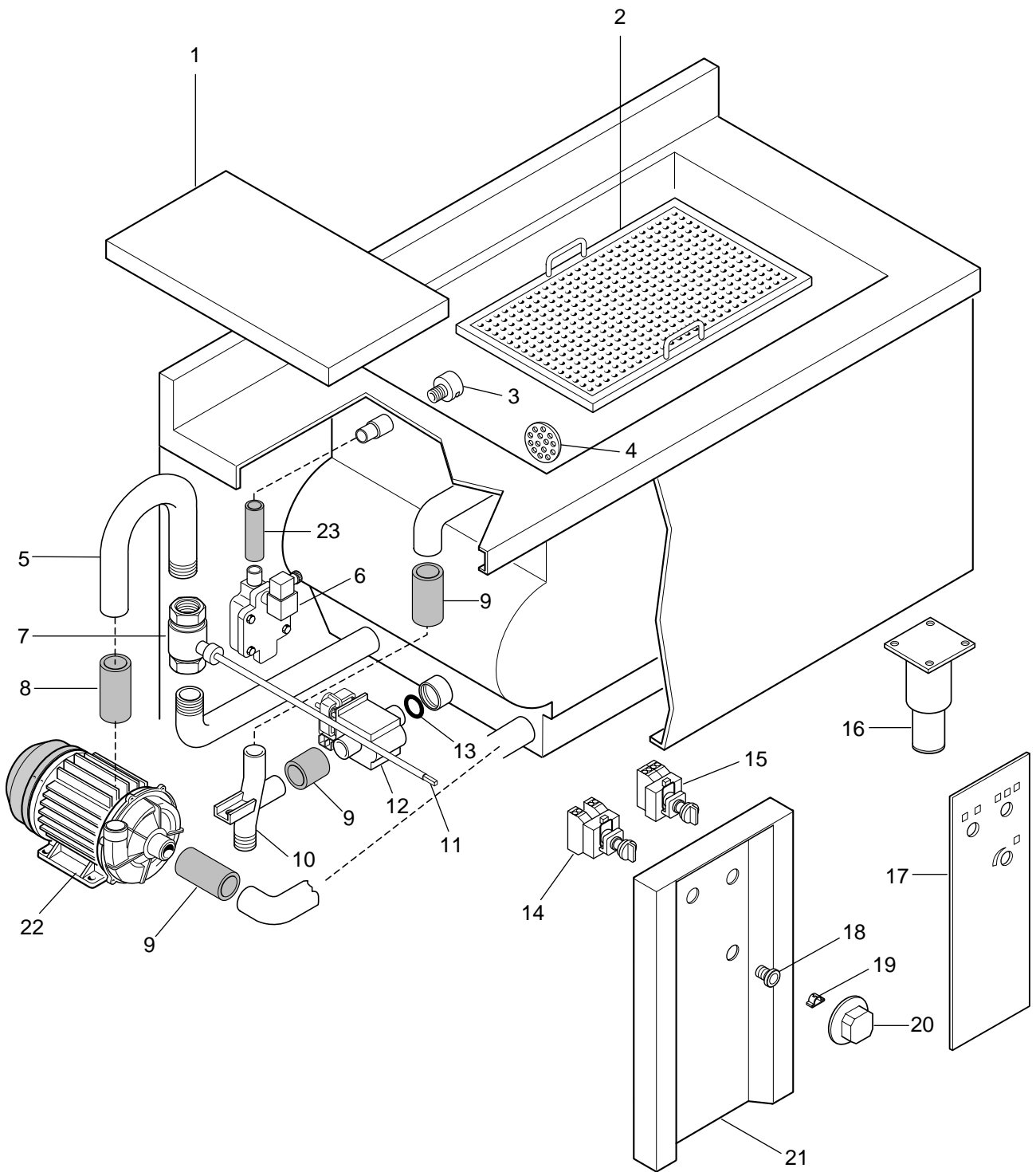
**Brand / Marchio :** Z- P  
**Factory code:** PCM

OS/DOC

From ser. nr. / Da Ser. Nr.: 745.....

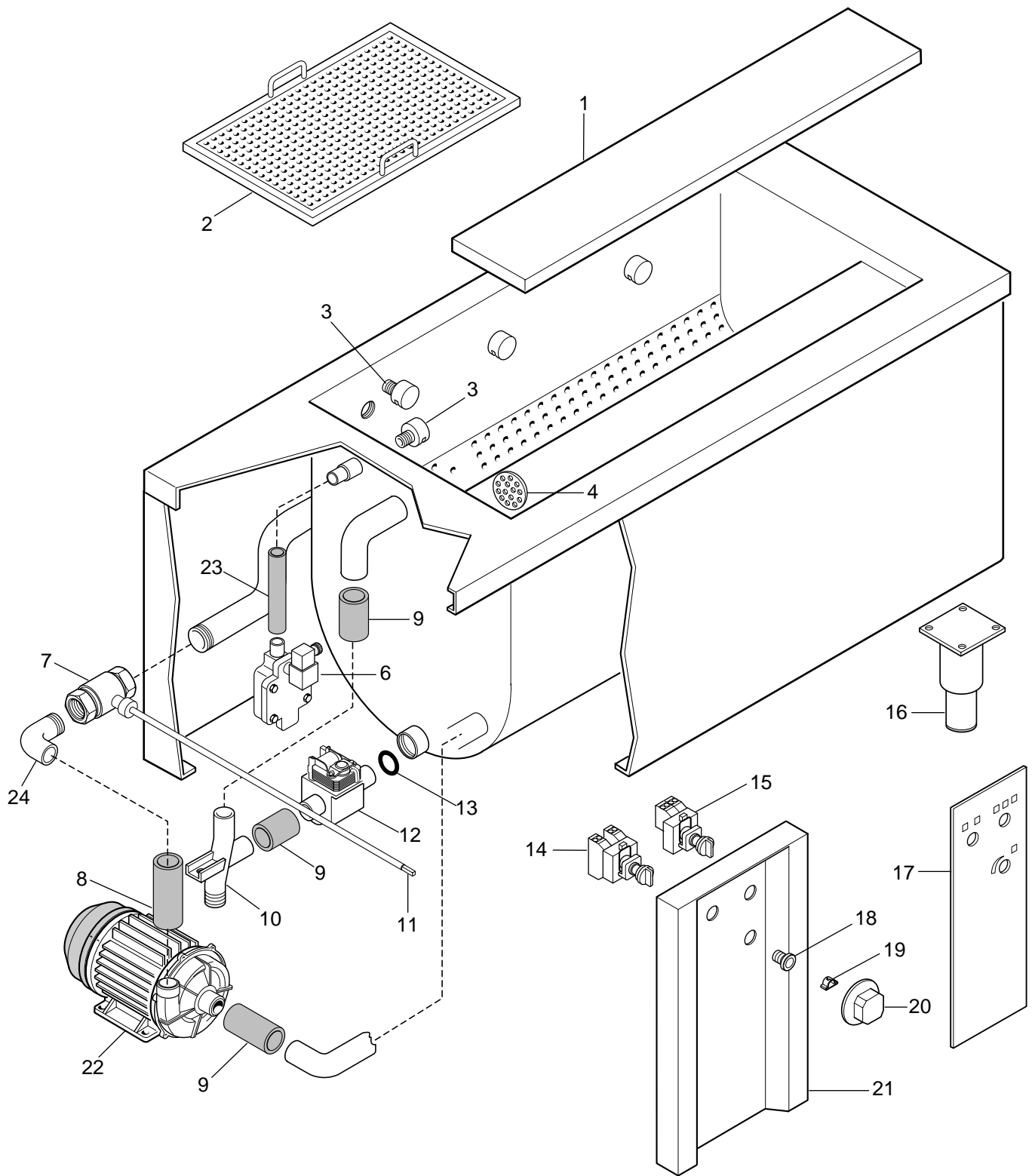
Ed. 9904

Doc. Nr.: **1 - 61 004**

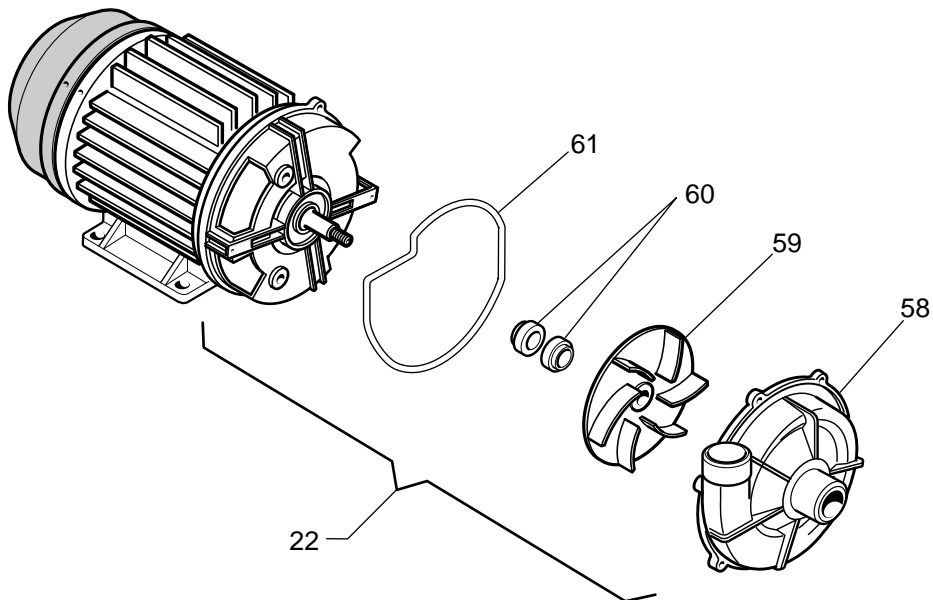
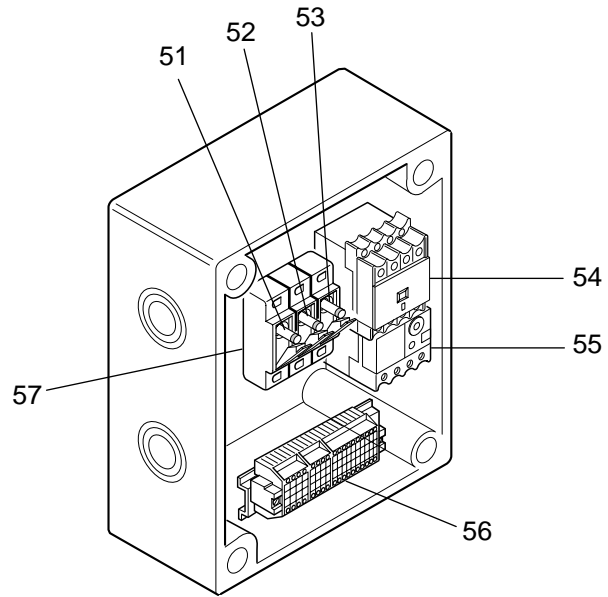


VEGETABLE WASCHER 8 - 30 Kg  
 LAVAVERDURE A VASCA FISSA 8-30 Kg

LV 200



VEGETABLE WASCHER 10 - 40 Kg  
 LAVAVERDURE A VASCA FISSA 10-40 Kg LV 300



VEGETABLE WASCHER 8 - 30 / 10 - 40 Kg  
 LAVAVERDURE A VASCA FISSA 8-30 / 10-40 Kg

LV 200 - LV 300

**Vegetable wascher 8-30/10-40 Kg**  
**Lavaverdure a vasca fissa 8-30/10-40 Kg**

PNC	Model	Ref.
660031	LV 200	a
660033	LV 300	b

Pos	Code	Dis.	Descrizione	Description	Ref. / Notes
			<b>Pagina 1 - 2</b>	<b>Page 1 - 2</b>	
1	005547	020502300	Tagliere LV 200	Cutting board LV 200	a
1	005552	020502200	Tagliere LV 300	Cutting board LV 300	b
2	033482	050014500	Filtro vasca LV 200	Filter, tank LV 200	a
2	033495	050003800	Filtro vasca LV 300	Filter, tank LV 300	b
3	059060	022121200	Erogatore acqua	Distributor, water	a
3	033491	035006600	Erogatore acqua	Distributor, water	b
4	033483	030025700	Filtro per troppo pieno	Filter, overflow pipe	
5		050004300	Tube raccordo	Pipe fitting	a
6	003778	022130200	Elettrovalvola 3/4"	Electrovalve 3/4"	a 24 V 50 Hz
6	033480	022150800	Elettrovalvola 1"	Electrovalve 1"	b 24 V 50 Hz
7	032721	022100400	Valvola a sfera 1 1/4 "	Ball valve	
8		023128700	Tube gomma øi 45mm	Rubber pipe diam. 45 mm	a
8		020506500	Tube gomma øi 45mm	Rubber pipe diam. 45 mm	b
9		023150400	Tube gomma øi 60mm	Rubber pipe diam. 60 mm	
10		050009800	Raccordo di scarico	Pipe fitting, drain	a
10		050011200	Raccordo di scarico	Pipe fitting, drain	b
11	033488	050004500	Prolunga x valvola a sfera	Extension, ball valve	a
11		050009700	Prolunga x valvola a sfera	Extension, ball valve	b
12	046432	022152400	Valvola di scarico motorizzata	Drain valve, motorized	
13	033472	020504200	Anello di tenuta OR	O-Ring	
14			Interruttore on-off	On-off switch	
15			Selettore cicli	Selector, cycles	
16	048579	050000900	Piede	Foot	
17	033494	020502400	Membrana cruscotto	Membrane, control panel	a
17	005550	020508300	Membrana cruscotto	Membrane, control panel	b
18	033481	019305400	Boccola x maniglia	Bushing, handle	
19	025245	023160600	Molletta x manopola	Spring, knob	ZGI 214590701
20	002672	020503800	Manopola x valvola sfera	Knob, ball valve	ZGI 548837200
21	033487	050004100	Cruscotto LV 200	Control panel LV 200	a
21	033492	050004000	Cruscotto LV 300	Control panel LV 300	b
22	033484	016100100	Elettropompa	Electric pump	art.1225/A HP1,5
23		020510500	Tube gomma øi 3/4"	Rubber pipe diam. 3/4"	a
23		020505700	Tube gomma øi 1"	Rubber pipe diam. 1"	b
24		050004400	Raccordo x valvola sfera	Pipe fitting, ball valve	b

**Vegetable wascher 8-30 / 10-40 Kg**  
**Lavaverdure a vasca fissa 8-30 / 10-40 Kg**

PNC	Model	Ref.
660 031	LV 200	a
660 033	LV 300	b

Pos	Code	Dis.	Descrizione	Description	Ref. / Notes
			<b>Pagina 3</b>	<b>Page 3</b>	
51			Fusibile	Fuse	
52			Fusibile	Fuse	
53			Fusibile	Fuse	
54			Contattore	Contactator	
55			Rele' termico	Thermal relay	
56			Morsettiera	Terminal board	
57	003692	005103800	Portafusibili 1P	Fuse holder 1P	PCH 1x38
58			Chiocciola x pompa	Pump shell	
59			Girante pompa	Pump wheel	
60			Tenuta per albero motore	Shaft sealing, motor	
61			Guarnizione x flangia	Gasket , flange	