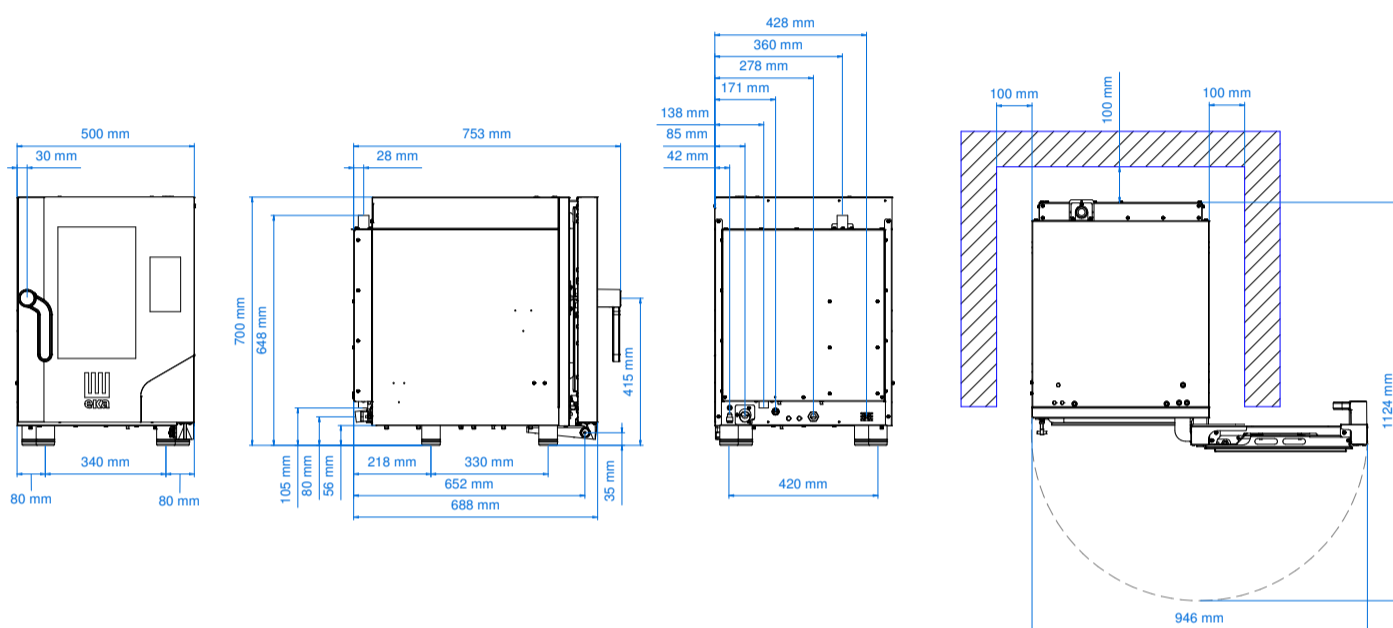


MKF 623 C BM



Electric COMPACT combi oven 6 trays
2/3 GN with digital touch panel with
BLACK MASK technology



Dimensional features

Dimensions (WxDxH mm)	500 x 750 x 700
Weight (kg)	61,6
Distance between rack rails (mm)	68

Electrical features

Power supply (kW)	5,2
Frequency (Hz)	50/60
Voltage (V)	AC 380/400 3N
N° motors	1 bidirectional
Boiler (kW)	/
Protection against water	IPX4

Functional features

Power	Electricity
Capacity	6 trays/grids 2/3 GN
Type of cooking	Semistatic + ventilated
Steam	Direct steam controlled by touch screen (10 levels)
Cooking chamber	AISI 304 stainless steel
Temperature	30 - 270 °C
Temperature control	Digital probe thermometer
Control panel	Black mask electronic control
N° programs	100
Programmable cooking steps	10
Pre-heating temperature	180 °C
Pre-heating function	Programmable
Door	Right side opening Ventilated Inspectionable glass
Modularity	Yes
Feet	Adjustable

Optionals

Condensation hood	MKCC 623 C
	MKS 23 C
Kit for overlapping ovens	MKS 623 C
	MKSST 623 C
Tables	MKTS 623 C
	MKT 623 DC
Other accessories	Available in the dedicated section

Equipment

Cardboard box dimensions with pallet (WxDxH mm)	570 x 800 x 870 mm
Lateral supports	1 right + 1 left
Cable	Three-phase+neutral [5G 1,5]-L=1600 mm
USB port	
Core probe with support cod. EKSCS	
Automatic washing system integrated	
Condensate collection bowl, with drain on door	
Hinge with door locking for openings adjusted at 60°, 90°, 120°, 180°	

Plus

Patented fan guard system Airflowlogic™	
Patented system for direct steam Humulogic™	
	Voltage (V) : AC 220/230 3 PH
Available on request at the order	Voltage (V) : AC 220/230
	Left side opening door
Humidity management software	
Programmable oven start	
N° 40 recipes stored	
HACCP system	
Adjustable door hinges	