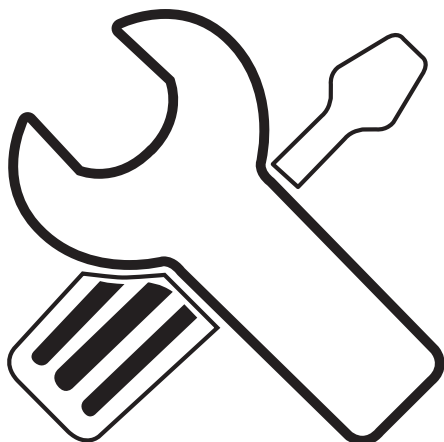
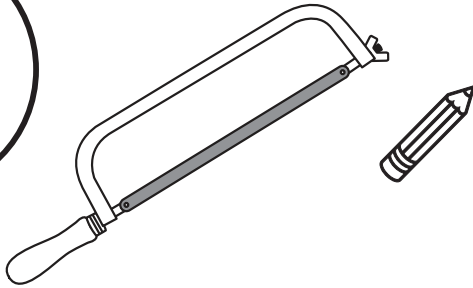


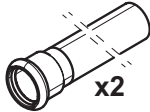
DRAIN PIPE KIT Ø 50 mm
Mod. 6 -10 GN 1/1 - Mod. 6 -10 GN 2/1
GAS - ELECTRIC



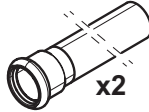
Cod. **595402G00**
Ed. 01.2019



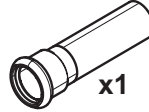
mm 1000
Ø 50 mm



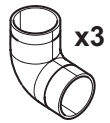
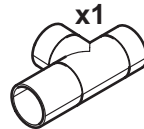
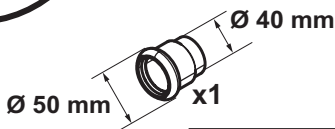
mm 500
Ø 50 mm



mm 250
Ø 50 mm

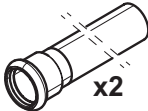


mm 150
Ø 50 mm

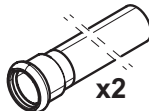


PLASTIC pipes
STEEL pipes

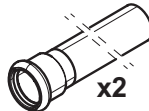
mm 1000
Ø 50 mm



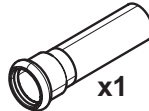
mm 750
Ø 50 mm



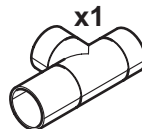
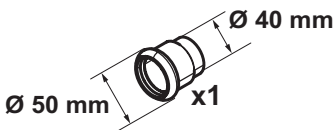
mm 500
Ø 50 mm

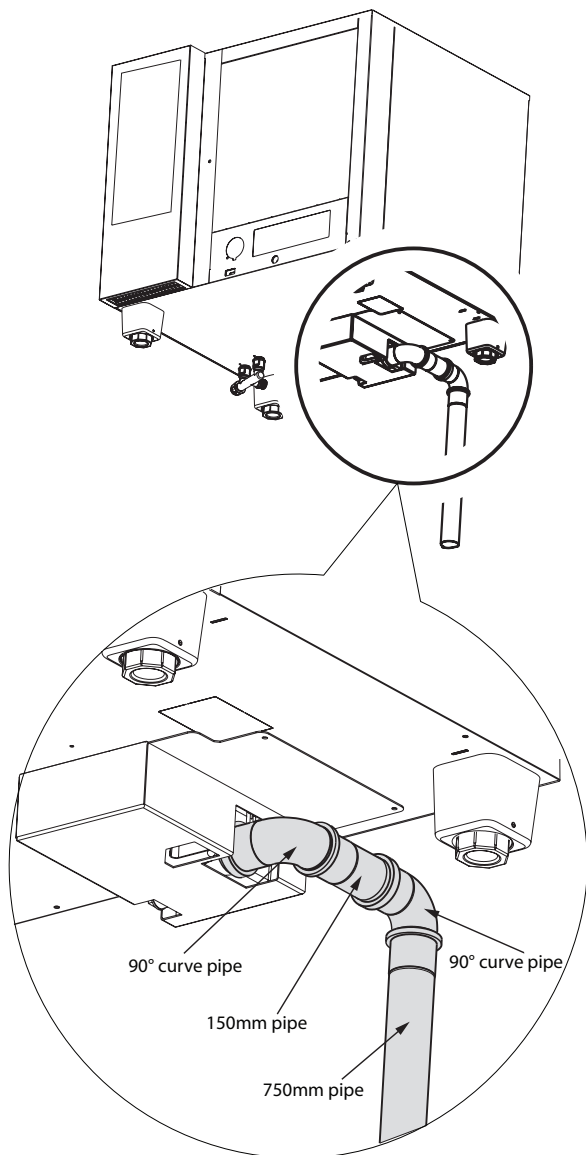


mm 250
Ø 50 mm

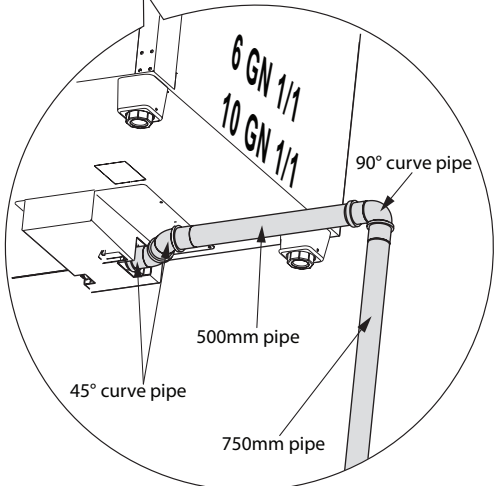
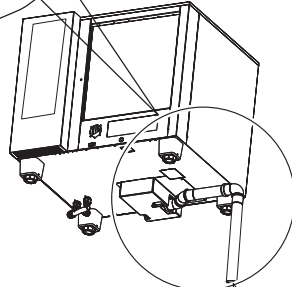
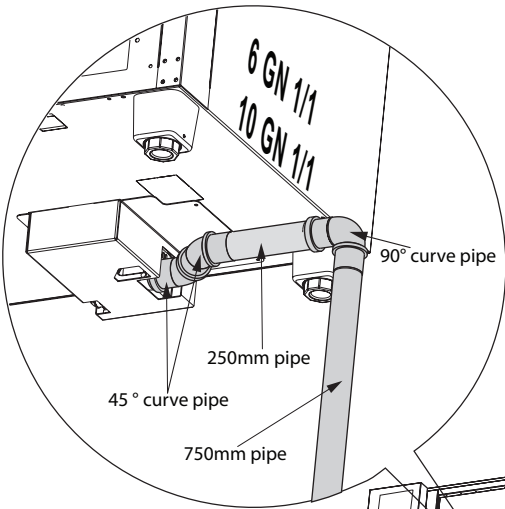


mm 150
Ø 50 mm





Solution 1



Solution 2