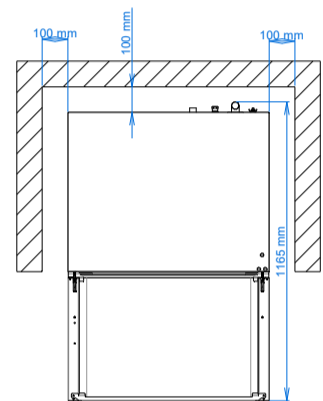
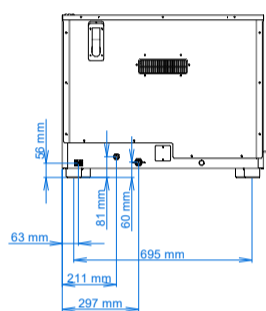
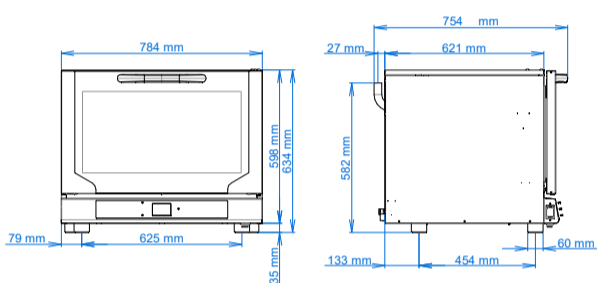


EKF 464 N T



ELECTRIC COMBI OVEN WITH TOUCH SCREEN AND DIRECT STEAM

Use: Pastry, Bakery



DIMENSIONAL FEATURES			
Oven dimensions (WxDxH mm)	784	754	634
Oven weight (kg)	50,6		
Distance between rack rails (mm)	73		

ELECTRICAL FEATURES	
Power supply (kW)	3,4
Frequency (Hz)	50/60
Voltage (Volt)	AC 220/230
N° of motors	2 Unidirectionals
Boiler	/
Protection against water	IPX3

EQUIPMENT			
Imballo cartone (LxPxH mm)	805	830	800
Supporti laterali	1 right + 1 left		
Cavo	Single-phase [3G 1,5]-L=1600 mm		
USB port			

FUNCTIONAL FEATURES	
Power	Electricity
Capacity	N° 4 trays/grids 600 x 400 mm
Type of cooking	Ventilated
Steam	Indirect controlled by Touch Screen
Cooking chamber	AISI 430 Stainless steel
Temperature	30 - 260 °C
Temperature control	Digital probe thermometer
Control panel	Touch-Lower side
N° of programs	100
Programmable cooking steps	5
Pre-heating temperature	180°C
Pre-heating function	Available
Programmable oven start	Available
Door	Tilt door Ventilated Inspectionable glass
Modularity	Available

PLUS	
Core probe setup (on request)	
Core probe (on request)	
Core probe support (on request)	
Wi-Fi module (on request)	