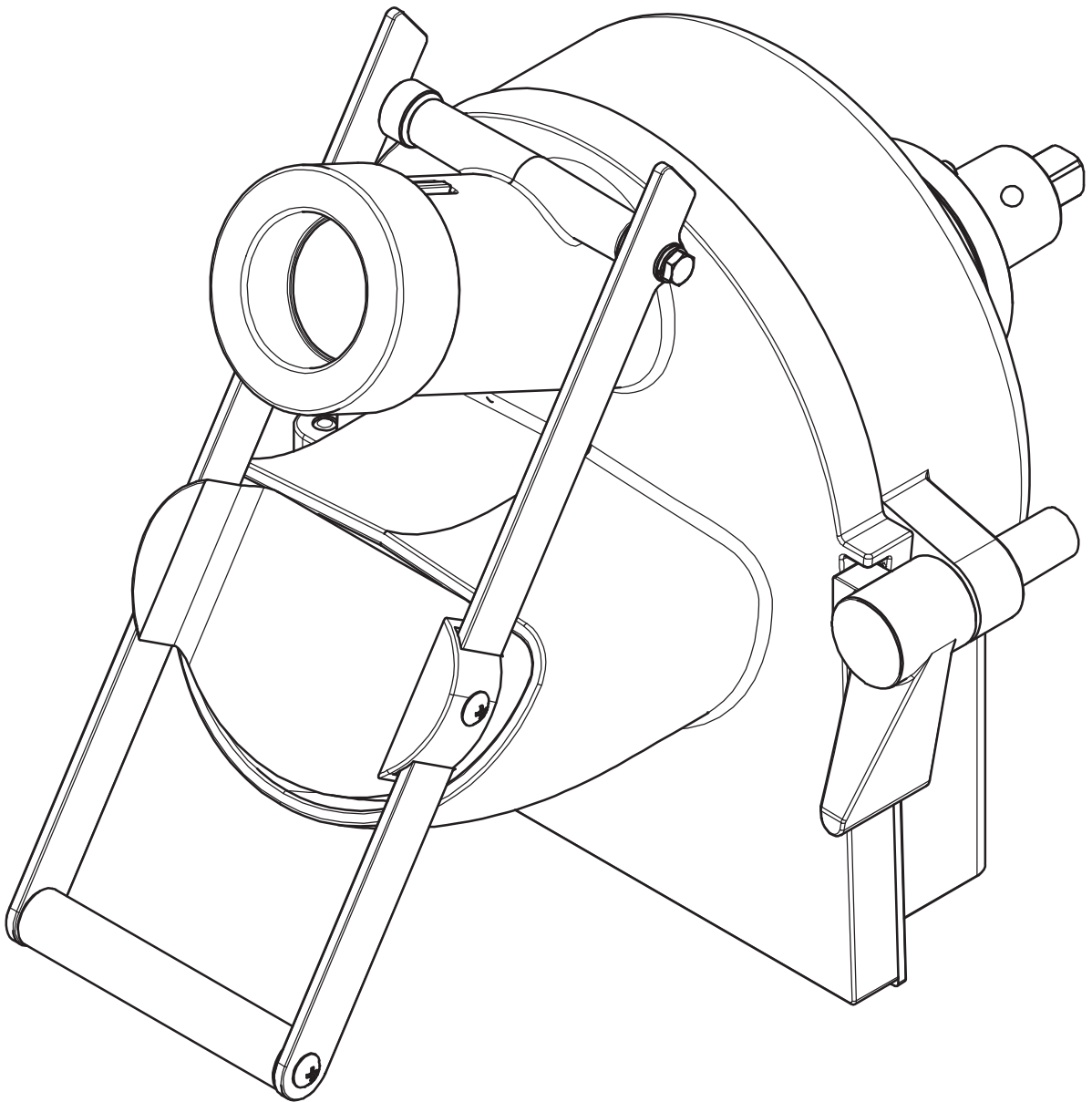


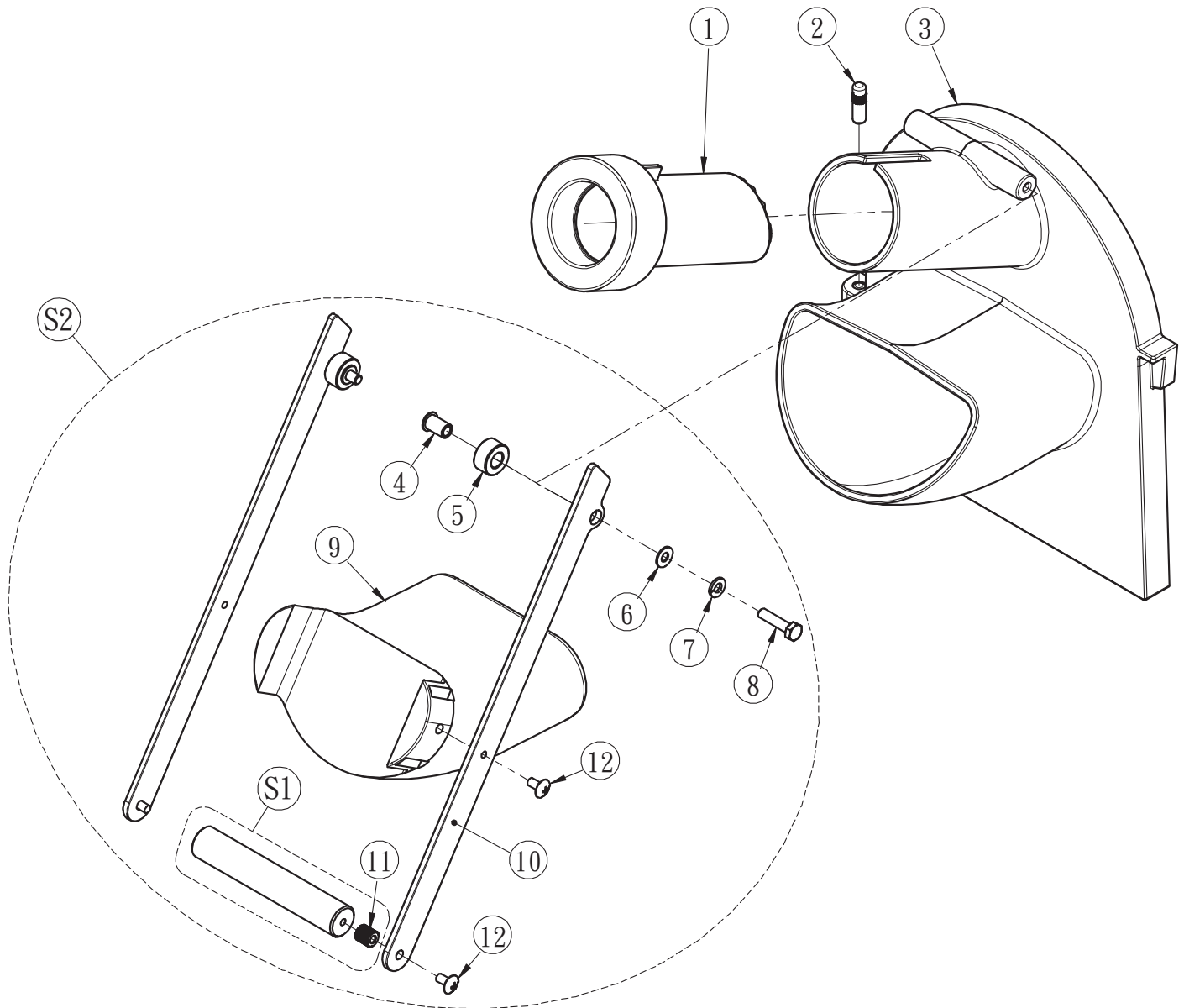
V99S Part List



2016 Version

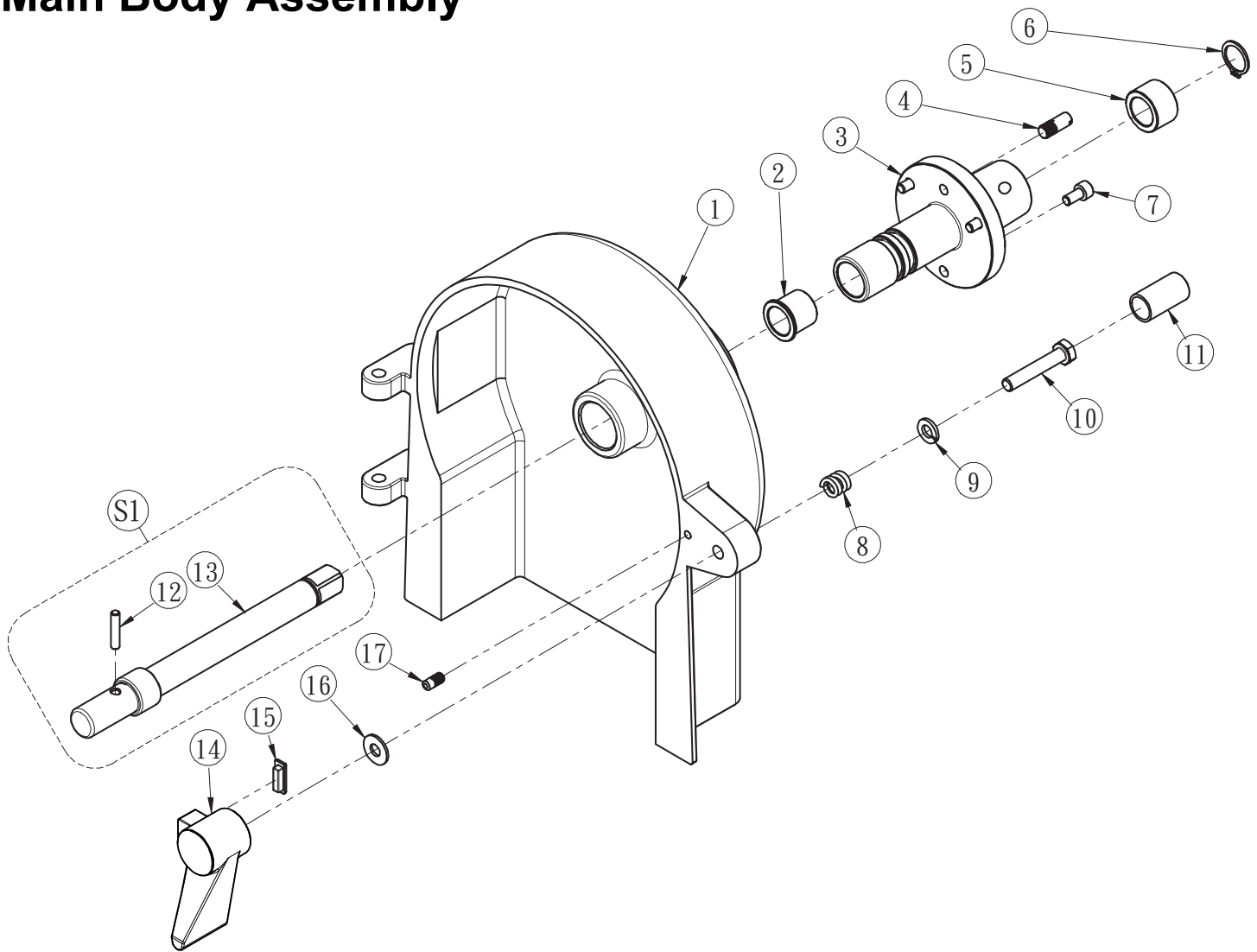
Oldalszám: 1

Front Cover Assembly



Item	Part Number	Description	Q'ty	Remark
1	V-9909	PUSH ROD	1	
2	V-9911	PIN	2	
3	V-9910	FEED HOPPER	1	
4	V-9904	STRAIN RELIVER	2	
5	V-9905	PLASTIC SLEEVE	2	
6	A301-A11-13-1-D	WASHER (M6)	2	
7	A302-A11-D	SPRING WASHER (M6)	2	
8	A101-A1110-D	SCREW (M6)	2	
9	V-9908	PUSHER	1	
10	V-9903	FIXTURE	2	
S1	V-9901	PLASTIC HANDLE	1	ASSEMBLY PART; S1 & #11
11	-	-	2	
12	A106-A1005-D	SCREW (M5)	4	
S2	V-9908S	PUSHER ASSEMBLY	1	ASSEMBLY PART INCLUDE S1

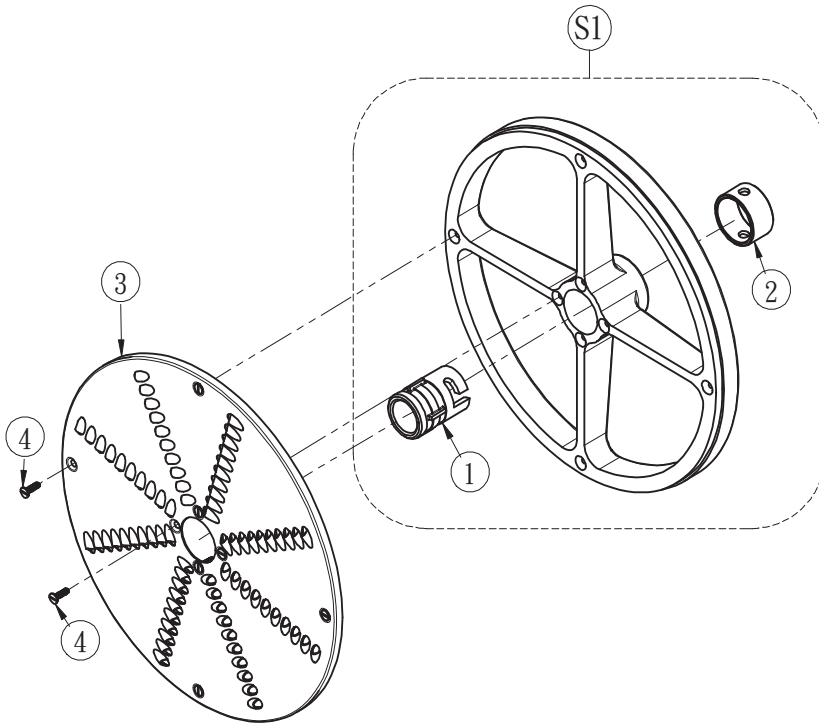
Main Body Assembly



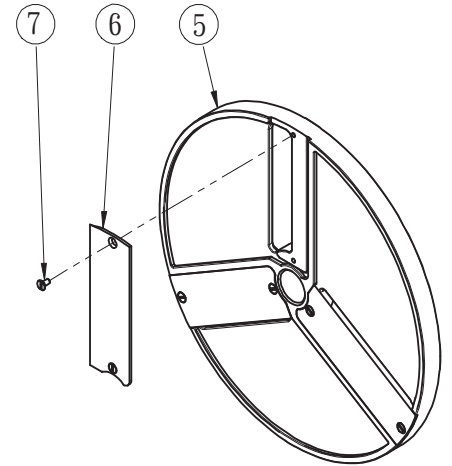
Item	Part Number	Description	Q'ty	Remark
1	V-9917	HOUSING	1	
2	V-9921	BUSHING	1	
3	V-9922	TRANSMISSION CONNECTOR	1	
4	VS003	ΦN (M8)	1	
5	V-9925	BUSHING	1	
6	STW-18/G1	C-RING STW-18	1	
7	A102-A1106-C2	SCREW (M6)	3	
8	V-9920-2	SPRING	1	
9	A302-A13-B4	SPRING WASHER	1	
10	A101-A1314-D	SCREW (M8)	1	
11	200155	DUST COVER	1	
S1	V-9915S	TRANSMISSION SHAFT ASSEMBLY	1	ASSEMBLY PART
12	-	-	1	
13	-	-	1	
14	V-9918	LOCKER	1	
15	V-9918-1	PLASTIC SPACER	1	
16	A301-A13-19-1-D	WASHER (M8)	1	
17	V-9918-2	SCREW (M6)	1	

Accessory List

Grating Plate



Slicing Plate



Item	Part Number	Description	Q'ty	Remark
S1	V-9912	GRATING PLATE HOLDER	1	ASSEMBLY PART; NOT INCLUDE GRATING PLATE
1	-	-	1	
2	-	-	1	
3	V-9912-1	GRATING PLATE- 12mm	1	NOT INCLUDE V-9912
	V-9912-2	GRATING PLATE- 7mm	1	NOT INCLUDE V-9912
	V-9912-3	GRATING PLATE- 4mm	1	NOT INCLUDE V-9912
	V-9912-4	GRATING PLATE- 3mm	1	NOT INCLUDE V-9912
	V-9912-5	GRATING PLATE- 2mm	1	NOT INCLUDE V-9912
4	A113-A0606-D/G1	SCREW (M3)	8	
5	V-9919	SLICING PLATE- 2mm	1	NOT INCLUDE V-9919-3
	V-9919-1	SLICING PLATE- 3mm	1	
	V-9919-2	SLICING PLATE- 8mm	1	
6	V-9919-3	BLADE	6	NOT INCLUDE V-9919,V-9919-1, V-9919-2
7	200503	SCREW (M3)	12	