



Electrolux

Spin Dryers Vegetable Dryer, 5kg - Automatic cycle

ITEM # _____

MODEL # _____

NAME # _____

SIS # _____

AIA # _____



Electrolux



601837 (EL40F)

Vegetable Dryer, 5 Kg. -
Automatic cycle -
230-400V/1/50-60

Short Form Specification

Item No. _____

Body in stainless steel and basket in high quality resin. Fully opening plastic lid, equipped with a micro switch to stop the machine if lid is opened. Two cycles: "automatic" which alternates rotation with several sudden stops (for all vegetables); "manual" thanks to the adjustable timer up to 59 minutes (for delicate vegetables). Flat and waterproof touch button control panel. Rotation speed: 470 rpm. Residual water is eliminated through an outlet pipe. IP55 and IP34 protection. Supplied with 32 litre basket. Load capacity: 5 kg- 9 lettuce heads.

Main Features

- Spin drying cycle with short drying time (1 to 2 minutes).
- "Automatic" cycle alternates rotation to several sudden stops, suitable for all vegetables.
- "Manual" cycle uses adjustable timer up to 59 minutes, to be used for delicate vegetables.
- Outlet pipe eliminates residual water.
- Timer with digital display and countdown.
- Safety device stops the machine when the cover is opened.
- Electrical braking system to stop basket rotation in a matter of seconds at the end of the cycle or when lid is opened.
- Heavy vegetables load per cycle: 5 Kg
- Light vegetables load per cycle: 9 units of lettuce heads.

Construction

- Stainless steel body.
- Resin basket, 32 liters in capacity.
- Basket rotates at approximately 470 rpm.

Included Accessories

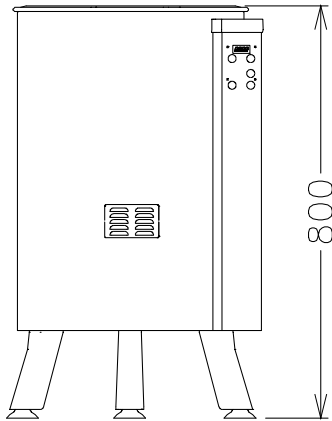
- 1 of Basket for 5 kg vegetable dryer PNC 653131

Optional Accessories

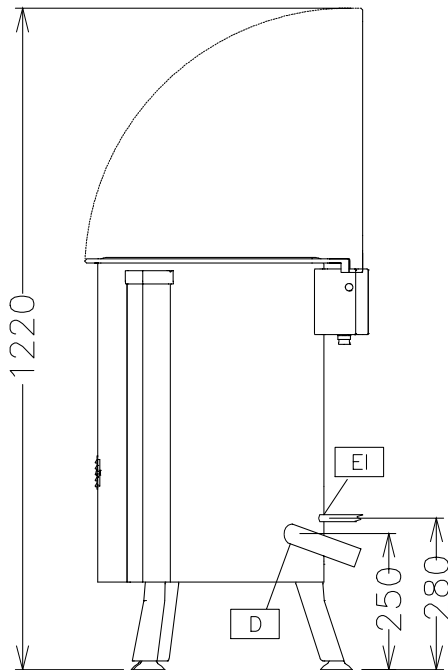
- Basket for 5 kg vegetable dryer PNC 653131

APPROVAL: _____

Front

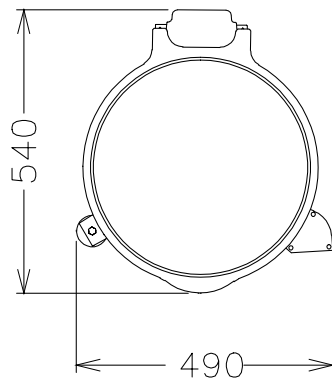


Side



D = Drain
EI = Electrical inlet (power)

Top



Electric

Supply voltage:	
601837 (EL40F)	200-240 V/1N ph/50/60 Hz
Electrical power max.:	0.37 kW
Total Watts:	0.37 kW

Key Information:

Well Capacity:	40 lt
Usable well capacity:	40 lt
Load per cycle - light vegetables:	9 units of lettuce
Load per cycle - heavy vegetables:	
External dimensions, Width:	460 mm
External dimensions, Height:	800 mm
External dimensions, Depth:	540 mm
Shipping weight:	48 kg