
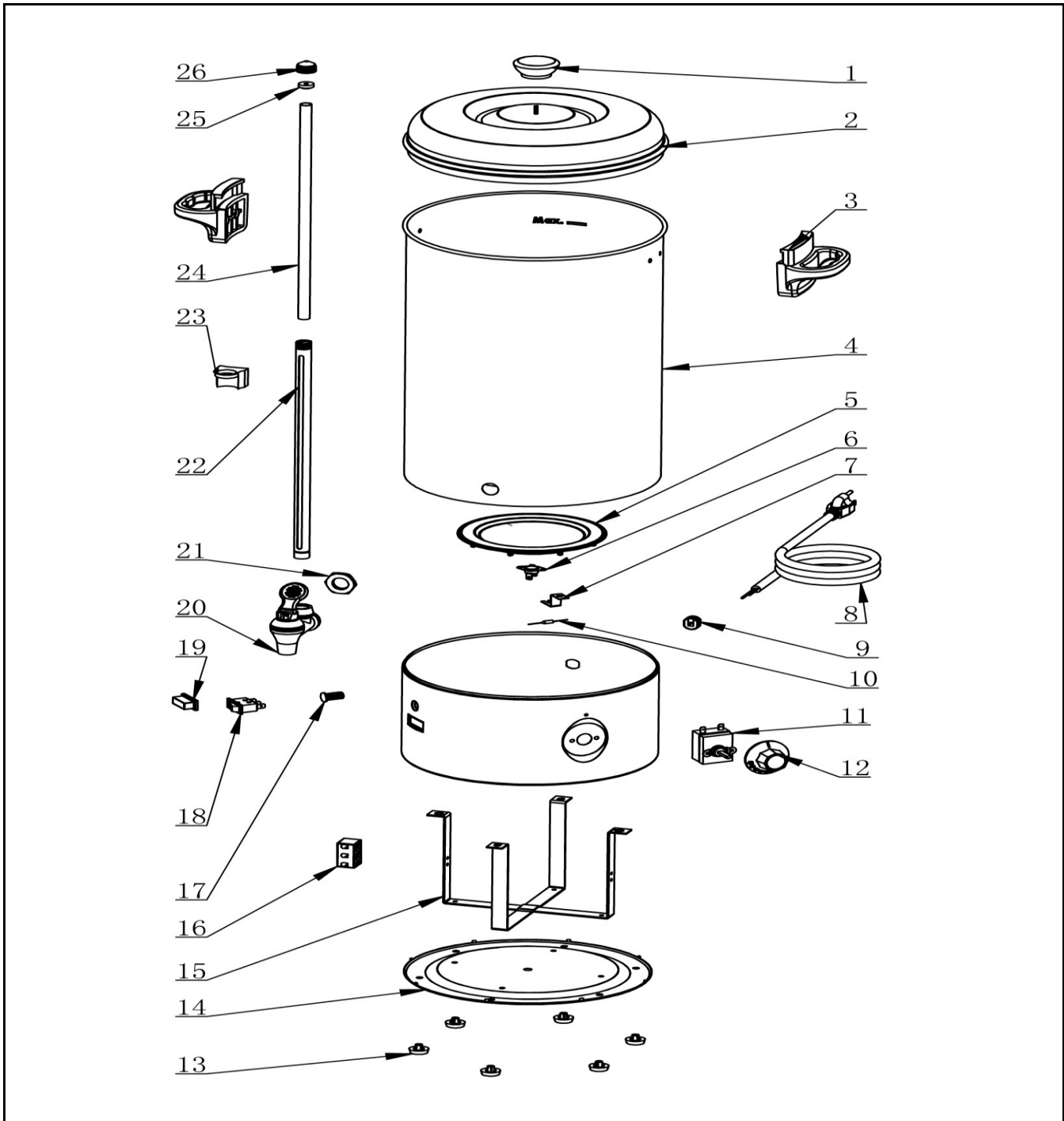



Drawing

| | | |
|--|-----------------------|-----------------|
|  <p>Hendi B.V. Steenoven 21 3911 TX Rhenen The Netherlands</p> | Batch # | Appliance part# |
| | 0000000 | 209899 |
| | Description | |
| | Hot drinks boiler 20L | |

| | | | |
|----------|-------------------------------|------------|------------------|
| Date | 29-04-2011 | Revision # | Revision version |
| Revision | First bill of materials (BOM) | | |



Bill of materials (BOM)

| | | |
|---|--------------------|------------------------|
|  Hendi B.V. Steenoven 21 3911 TX Rhenen The Netherlands | Batch # | Appliance part# |
| | 0000000 | 209899 |
| | Description | |
| Hot drinks boiler 20L | | |


| | | | |
|-----------------|-------------------------------|-------------------|------------------|
| Date | 29-04-2011 | Revision # | Revision version |
| Revision | First bill of materials (BOM) | | |

| Item | Description | Part# | Quantity | Remark | Picture |
|------|--|--------|----------|--------------------------------|---------|
| 1 | Knob for lid | nss | 1 | Available in set 906316 | |
| 2 | Lid | 906316 | 1 | | |
| 3 | Handle container | n/a | 2 | | |
| 4 | Container | n/a | 1 | | |
| 5 | Element | 209912 | 1 | | |
| 5a | Gasket element | 904367 | 1 | | |
| 6 | Hi-limiter | 904312 | 1 | (120 degrees celcius) | |
| 7 | Holder hi-limiter | n/a | 1 | | |
| 8 | Power cord | 930045 | 1 | | |
| 9 | Cord inlet / retention | 904374 | 1 | | |
| 10 | Thermal fuse | 208441 | 1 | (144 degrees celcius) | |
| 11 | Thermostat | 904350 | 1 | | |
| 12 | Knob thermostat | 906323 | 1 | | |
| 13 | Foot | 900571 | 6 | | |
| 14 | bottom plate | n/a | 1 | | |
| 15 | Bracket bottom plate | n/a | 1 | | |
| 16 | Terminal block | 904381 | 1 | | |
| 17 | Lamp indication | 902059 | 1 | | |
| 18 | Switch | 904398 | 1 | | |
| 19 | Switch cover | nss | 1 | Available in set 904398 | |
| 20 | Faucet | 208038 | 1 | Also available in set 906347 | |
| 21 | Nut faucet | nss | 1 | Available in 208038 and 906347 | |
| 22 | Sleeve graduation | nss | 1 | Available in 906347 | |
| 23 | Holder graduation | nss | 1 | Available in 906347 | |
| 24 | Glass graduation | nss | 1 | Available in 906347 | |
| 25 | Gasket glass graduation | 208496 | 2 | Also available in 906347 | |
| 26 | Nut graduation | nss | 1 | Available in 906347 | |
| 27 | Sleeve graduation with faucet complete | 906347 | 1 | (parts 20,21,22,23,24,25,26) | |
| | | | | | |
| | | | | | |
| | | | | | |
| | | | | | |

n/a -> not available

nss -> not sold separately

Circuit diagram

| | | |
|--|-----------------------|------------------------|
|  <p>Hendi B.V. Steenoven 21 3911 TX Rhenen The Netherlands</p> | Batch # | Appliance part# |
| | 0000000 | 209899 |
| | Description | |
| | Hot drinks boiler 20L | |

| | | | |
|-----------------|-------------------------------|-------------------|------------------|
| Date | 29-04-2011 | Revision # | Revision version |
| Revision | First bill of materials (BOM) | | |

