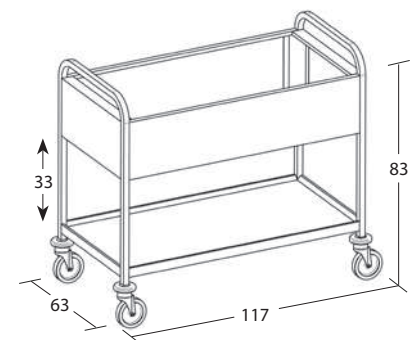
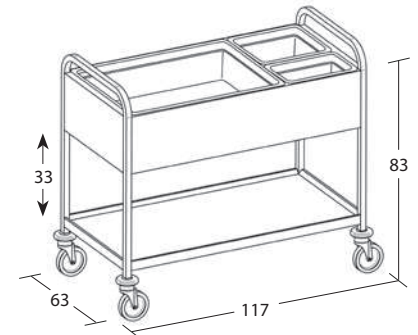


- Stainless steel 2.5x2.5cm square tube frame with stainless steel plate side panels welded throughout the length, brushed finish
- Top tier with no well. It can take up to 3 x 1/1 GN pans with a max depth of 200mm
- Stainless steel plate lower shelf with raised edge
- Grey rubber ring buffers
- Swivel castors, ø 12.5cm



Item 1515 + A0107 + S1220

Item	Tiers	GN pans	Shelf dim. (cm)	Max dim. (cm)
1515	1	1x2/1 + 2x1/2	105x50.8	117x63x94
1515S	1	not included	105x50.8	117x63x94

Options	Description	For item
---------	-------------	----------

S1220	1 Set with 2 braked castors	1515 - 1515S
-------	-----------------------------	--------------



SE220	2 Set with 4 resilient castors (2 with brake)	1515 - 1515S
-------	---	--------------



Accessories	Description	For item
-------------	-------------	----------

AB02	3 PVC waste bin, 33x16x51cm	1515 - 1515S
------	-----------------------------	--------------



AB01	4 PVC waste bin, 35x19x18cm	1515 - 1515S
------	-----------------------------	--------------



A0107	5 Watertight well with drain hole - 3 x 1/1 GN 200mm-deep	1515 - 1515S
-------	---	--------------

