

## LiberoPro Wok Induction, 3Phase

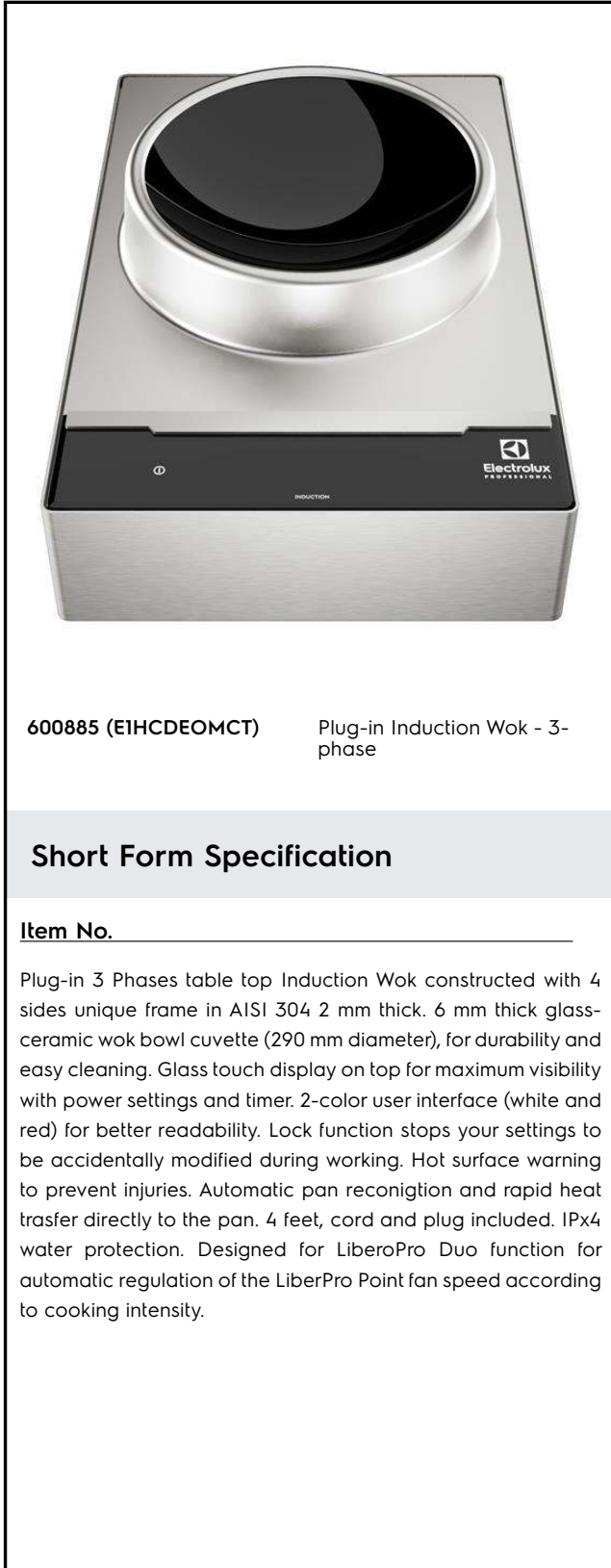
ITEM # \_\_\_\_\_

MODEL # \_\_\_\_\_

NAME # \_\_\_\_\_

SIS # \_\_\_\_\_

AIA # \_\_\_\_\_



**600885 (EIHCD EOMCT)** Plug-in Induction Wok - 3-phase

### Short Form Specification

**Item No.** \_\_\_\_\_

Plug-in 3 Phases table top Induction Wok constructed with 4 sides unique frame in AISI 304 2 mm thick. 6 mm thick glass-ceramic wok bowl cuvette (290 mm diameter), for durability and easy cleaning. Glass touch display on top for maximum visibility with power settings and timer. 2-color user interface (white and red) for better readability. Lock function stops your settings to be accidentally modified during working. Hot surface warning to prevent injuries. Automatic pan recognition and rapid heat transfer directly to the pan. 4 feet, cord and plug included. IPx4 water protection. Designed for LiberoPro Duo function for automatic regulation of the LiberoPro Point fan speed according to cooking intensity.

### Main Features

- Plug in unit designed for table top installations.
- 2-color user interface (white and red) for better readability.
- Rapid heat transfer directly to the pan, no heat is dispersed into the environment.
- Automatic pan detection to transfer power only when pan is present.
- Glass touch display on top for maximum visibility.
- Power level settings from 1 to 10.
- Timer function can be used to set the cooking time, switching off the zone automatically at the end of the time set.
- High impact, heavy duty glass-ceramic wok bowl for durability and easy cleaning.
- Self-diagnostics: an error code is displayed (Exxx) in case of dysfunction.
- Designed for LiberoPro Duo function for automatic regulation of the LiberoPro Point fan speed according to cooking intensity.

### Construction

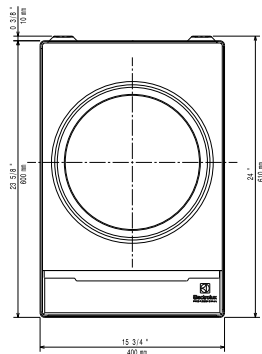
- 4 sides unique frame in AISI 304 2 mm thick.
- One induction wok shaped bowl 6mm thick.
- Induction air filters easy to clean and remove for monthly cleaning.
- 4 feet, cord and plug included.
- IPx4 water protection.

### Optional Accessories

- Induction Wok pan with stainless steel handle (diam. 350mm) PNC 653595
- Induction Wok pan with wooden handle (diam. 360mm) PNC 910613
- Induction Wok pan with stainless steel handle (diam. 360mm) PNC 911587
- Stainless steel lid for Wok pan diam. 360mm PNC 911588

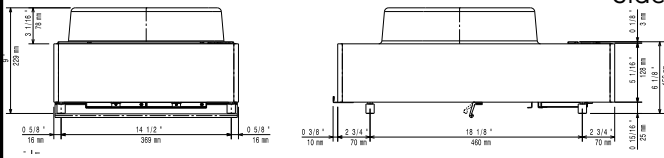
**APPROVAL:** \_\_\_\_\_

Top



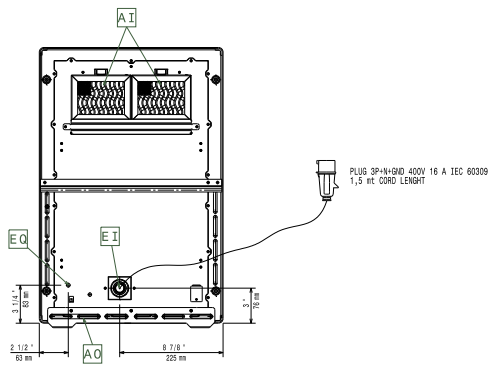
ELECTROLUX VERSION

Side



EI = Electrical inlet (power)  
 EO = Electrical Outlet

Other


**Electric**

<b>Supply voltage:</b>	
600885 (E1HCDEOMCT)	380-415 V/3 ph/50-60 Hz
<b>Total Watts:</b>	5 kW
<b>Plug type:</b>	IEC/EN 60309-1/2
<b>Minimum Circuit Ampacity (MCA):</b>	16A

**Key Information:**

<b>External dimensions, Width:</b>	400 mm
<b>External dimensions, Height:</b>	229 mm
<b>External dimensions, Depth:</b>	600 mm
<b>Net weight:</b>	21 kg
<b>Top area width:</b>	400 mm
<b>Top area depth:</b>	397 mm