

Experience the future of roasting & holding

Space Saver Premium & Space Saver

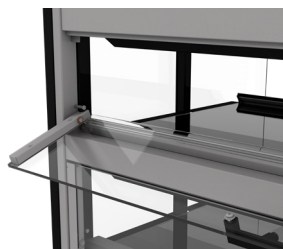
Experience the future of roasting & holding, where sales potential is maximized, and operational costs are reduced. The Space Saver combines a rotisserie on a two-level heated self-serve display, designed for the complete range of TDR 5 models, including auto-clean!

Within just 1 square meter, the Space Saver eliminates space wastage, offering efficient roasting and holding capabilities. Enjoy optimal insulation with double-pane glass and **up to 50% energy savings** through Hot Blanket Technology. Effortlessly fine-tune shelf temperatures with the **standard Multi Temp** functionality, while LED shelf lighting showcases your food.

The Space Saver Premium is fully equipped for the TDR 5 S auto-clean rotisserie, including a drain pump, integrated pipework, and grease tray within the food display. With **rear loading** capabilities exclusive to the Premium version, restocking and managing your display become a breeze, ensuring a seamless and efficient operation. Excitingly, **no waste water connection is needed!** The display accommodates an optional trolley for easy waste water collection, simplifying maintenance.



Hot Blanket Technology



Rear loading (Premium version)



Features Space Saver

Top features 2 level heated self-serve food display

- Suitable for the complete range of TDR 5 models including auto-clean
- Compact solution - roasting and holding within < 1m²
- Double pane glass on both sides; optimal insulation
- Hot Blanket Technology: Energy efficient combination of hot air recirculation and conduction
- Energy savings up to 50% - Guided hot air does not leak out and keeps colder ambient air outside
- Individual shelf temperature settings with Multi Temp
- LED shelf lighting puts your food in the spotlights

Standard characteristics - Space Saver Premium

- Designed for TDR 5 S auto-clean
- Fully equipped for an auto-clean rotisserie - drain pump, pipework and grease tray integrated in the food display
- Rear loading
- A fixed water drain is not necessary when using the trolley for collecting waste water (optional)
- Also available: TDR 5 S auto-clean with front controls (on request)
- Can be used as rear loading solution for TDR 5 S and TDR 5 M

Standard characteristics - Space Saver

- Designed for TDR 5 S, TDR 5 M and TG-4
- Solid back

See separate data sheets for detailed rotisserie information

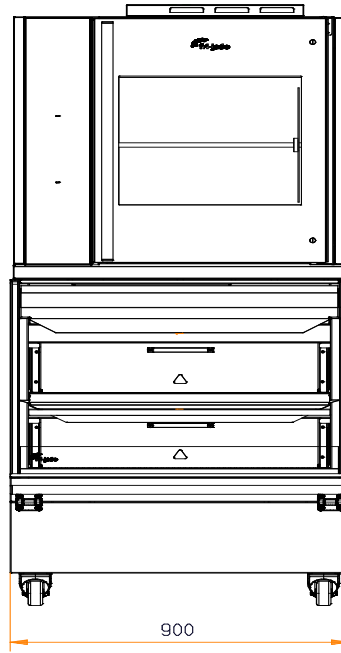
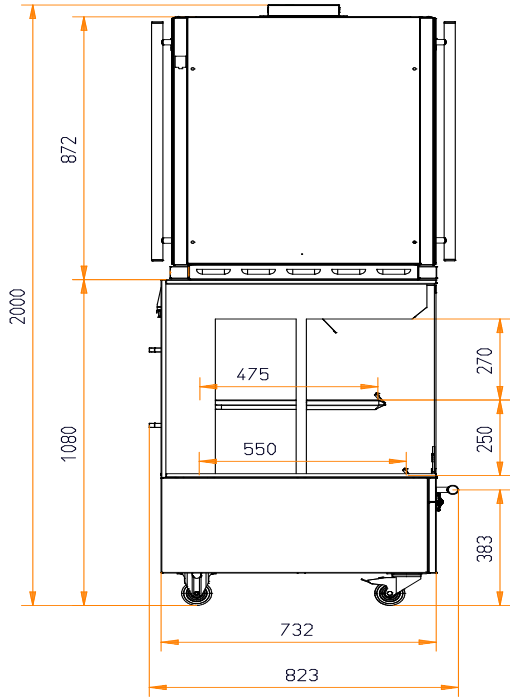


Waste water trolley (optional)



Ventless hood (optional)

Space Saver Premium (with TDR 5 S auto-clean)



Space Saver Premium

Dimensions food display - Premium

(Rear loading version - designed for TDR 5 S auto-clean)

Width	900 mm
Depth	823 mm
Depth with hood	853 mm
Height	1080 mm
Height with TDR 5 AC	2000 mm
Optional hood adds in height	372mm

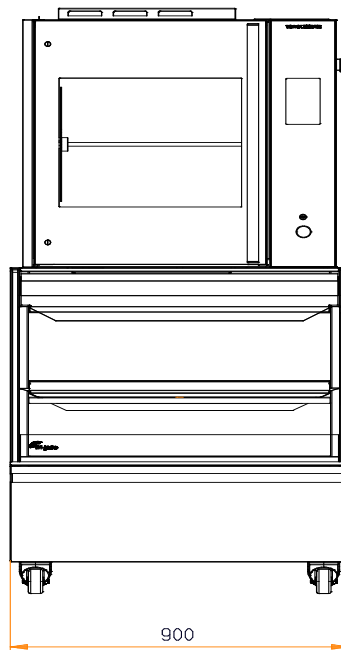
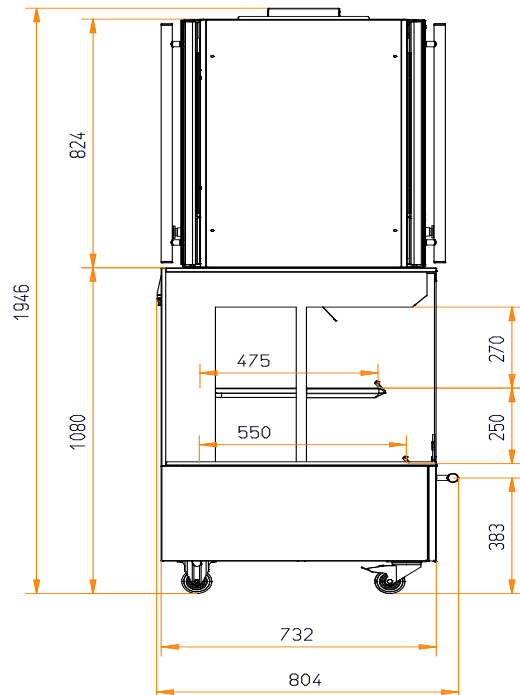
Technical data food display - Premium

Net weight	133 kg
Voltage	3N~ 400/230 V
Frequency	50/60 Hz
Power	2.2 kW
Power (incl TDR)	8.8 kW

TDR 5 S auto-clean

Net weight	160 kg
Voltage	3N~ 400/230 V
Frequency	50/60 Hz
Power	6.6 kW

Space Saver (with TDR 5 S | TDR 5 M)



Space Saver

Dimensions food display

(Solid back version designed for TDR 5 S & TDR 5 M)

Width	900 mm
Depth	804 mm
Depth with hood	853 mm
Height	1080 mm
Height with TDR 5 M/S	1946 mm
Optional hood adds in height	372mm

(Solid back version designed for TG-4)

Width	900 mm
Depth	804 mm
Height	1080 mm
Height with TG-4	1796 mm

Technical data food display

Net weight	133 kg
Voltage	3N~ 400/230 V
Frequency	50/60 Hz
Power	2.2 kW
Power (incl TDR)	8.8 kW

TDR 5 S / TDR 5 M

Net weight	130 kg
Voltage	3N~ 400/230 V
Frequency	50/60 Hz
Power	6.6 kW

TG-4

Net weight	130 kg
Voltage	3N~ 400/230 V
Frequency	50/60 Hz
Power	6.6 kW